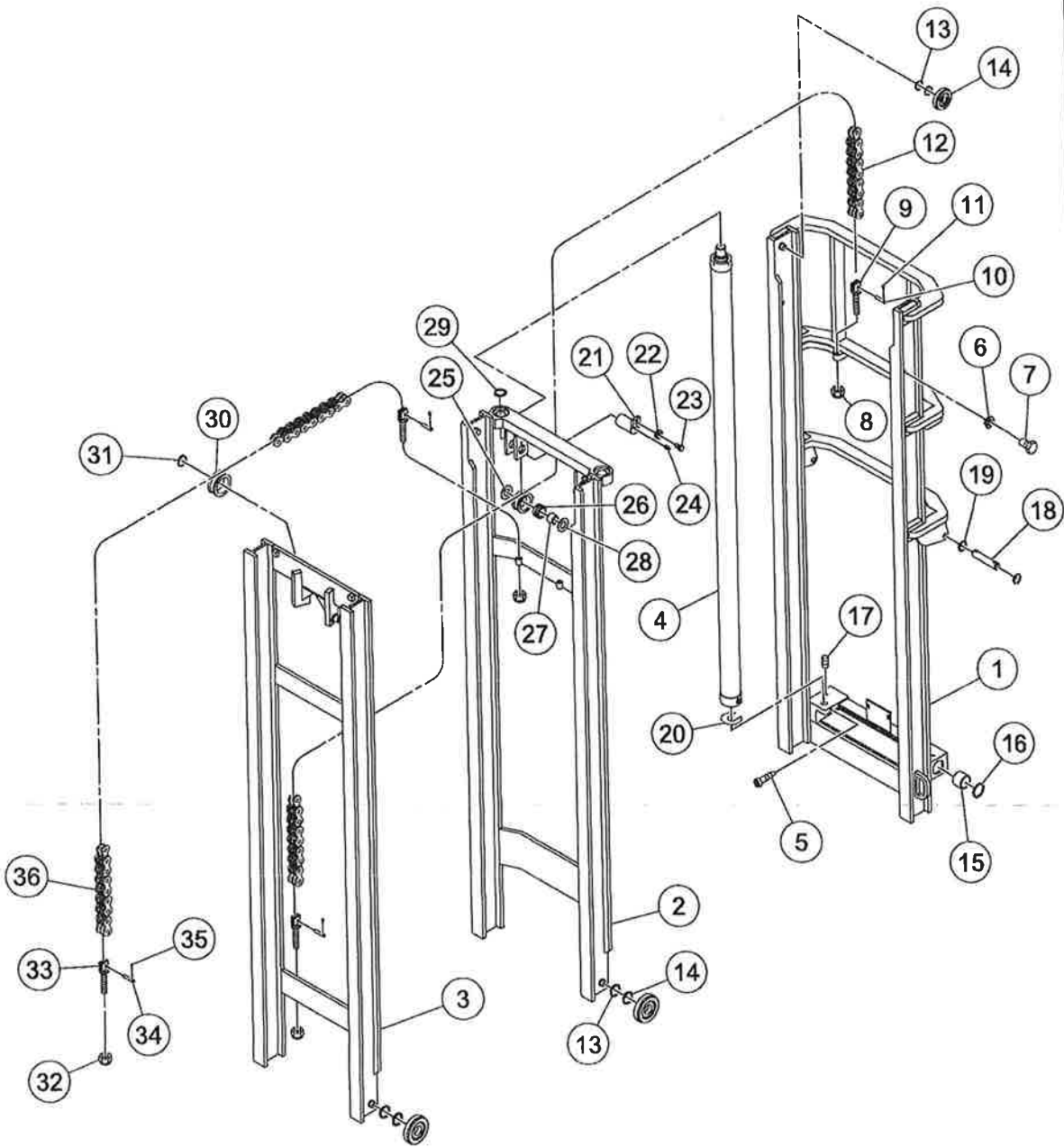


59193243

022 MV

NOTES:
1.



Pubs Notes: RT



59193243_0001

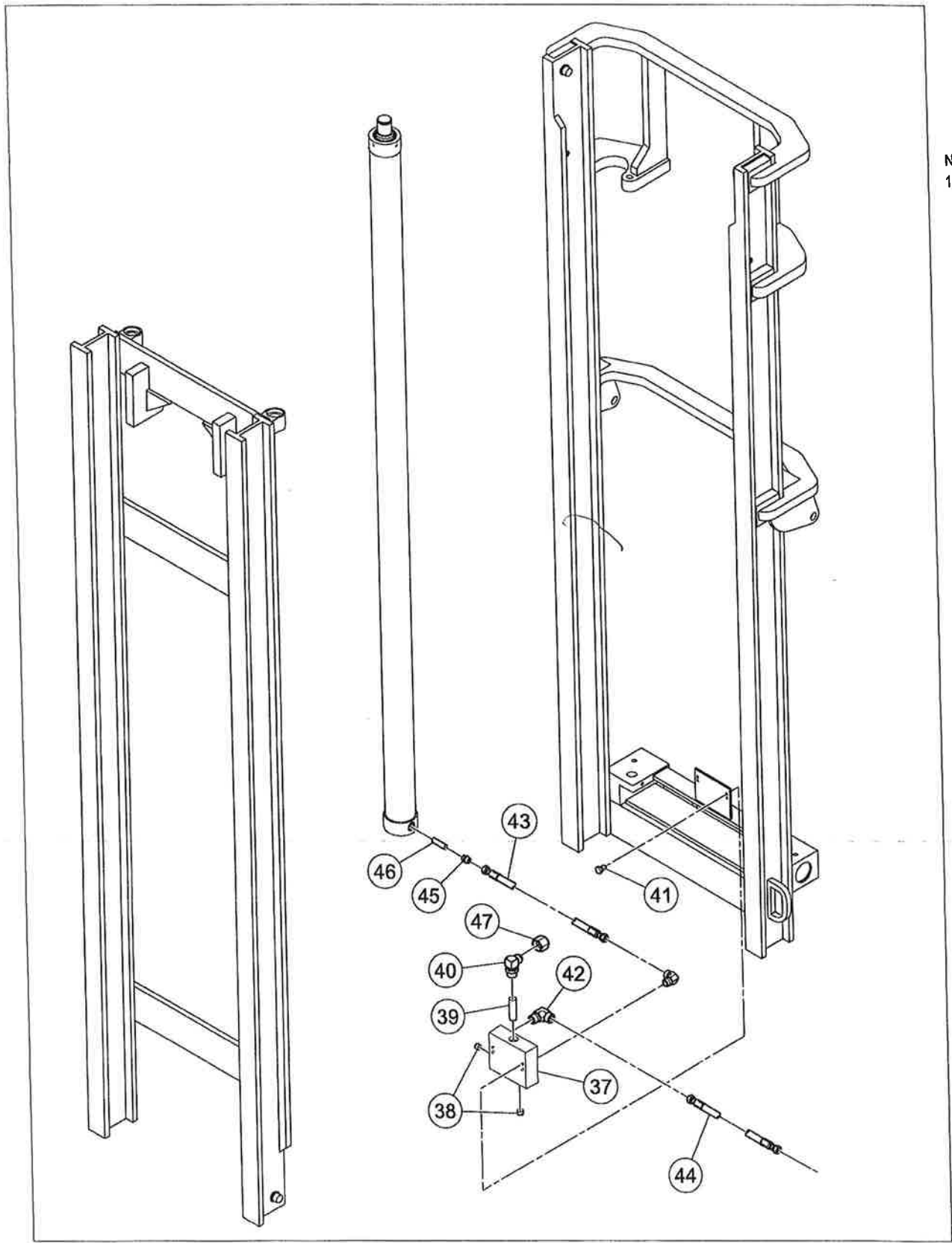
0

A2 Template 3

Light Lines

RT706H
RT 708H.

SERIAL# PRIOR to
176143



NOTES:
1.

Pubs Notes: RT



59193243_0002



A2 Template 3

BM003R1

S/L BILL-OF-MATERIAL INQUIRY

5/03/07

PART: 59193243

MAST/CARRIAGE ASSY

<u>BUJ</u>	<u>QTY--PER</u>	<u>PART #</u>	<u>DESCRIPTION</u>	<u>DRAWING #</u>
001	1.0000	59245571	RAIL, OUTER	
002	1.0000	59245589	RAIL, INNER	
003	1.0000	59245597	RAIL, INNER	
004	2.0000	59248609	CYLINDER, RAIL -	
005	2.0000	58781683	SCREW	
006	2.0000	58989831	LOCKWASHER	
007	2.0000	58989849	BOLT, RAIL STOP	
008	4.0000	58773953	NUT	0
009	4.0000	58890294	CHAIN ANCHOR	
010	4.0000	58890286	PIN (CHAIN A	
011	8.0000	58781402	PIN, COTTER.	
012	2.0000	59248633	CHAIN	
013	1.0000	58890492	SHIM (0.03 THICK)	
014	8.0000	58781287	ROLLER, LOAD	
015	2.0000	59245423	BUSHING	
016	2.0000	59245431	RING, RETAINING	
017	2.0000	59245449	FITTING, GREASE	

*Seal Kit
54576822*

+

F3=EXIT F7=PAGEBWD F8=PAGEFWD F10=PRINT
INVALID ITEM

BM003R1

S/L BILL-OF-MATERIAL INQUIRY
MAST/CARRIAGE ASSY ***

5/03/07

PART: 59193243

BUB	QTY--PER	PART #	DESCRIPTION	DRAWING #
018	2.0000	59245464	PIN,TILT	
019	4.0000	59245456	RING,RETAINING	
020	1.0000	59245357	SHIM	
	2.0000	58889981	CHAIN PIN AN	
022	2.0000	58989872	LOCKWASHER	
023	2.0000	58989864	SCREW	
024	2.0000	58813395	GREASE FITTI	
025	2.0000	58890260	CHAIN SHEAVE	
026	2.0000	58889593	BEARING	
027	2.0000	58889601	BEARING (INN	
028	4.0000	58890278	RETAINING WA	
029	2.0000	58989880	RING, RETAINER	
030	2.0000	58890450	CARRIAGE CHAIN SHEAVE	
031	2.0000	58781436	RING,RETAINER	
032	4.0000	58773953	NUT	0
033	4.0000	58890302	CHAIN ANCHOR	
034	4.0000	58890310	PIN, CHAIN A	
035	8.0000	58781402	PIN,COTTER.	

F3=EXIT F7=PAGEBWD F8=PAGEFWD F10=PRINT
INVALID ITEM

+

BM003R1

S/L BILL-OF-MATERIAL INQUIRY
PART: 59193243 MAST/CARRIAGE ASSY ***

5/03/07

BUB	QTY--PER	PART #	DESCRIPTION	DRAWING #
036	2.0000	59248682	CHAIN	
037	1.0000	58889346	MANIFOLD BLO	PUB
038	2.0000	58813429	PLUG	
039	1.0000	59248690	VALVE, FLOW	
040	1.0000	58989690	FITTING	
041	2.0000	58889536	MOUNTING BOLT	
042	2.0000	58781535	FITTING, 90 DEG.	ND
043	1.0000	59080952	HOSE ASSY	
044	1.0000	59245274	HOSE, LH	
045	2.0000	58781543	FITTING	NO DWG
046	1.0000	58813403	FLOW LIMITER	
047	1.0000	59245290	CUP	
048	1.0000	13228283	CARRIAGE WELDMENT	
049	1.0000	59249235	FORK SHAFT	
050	2.0000	59249169	CAP, SHAFT	
051	4.0000	59249177	WASHER, LOCK	
052	4.0000	59249185	BOLT	
053	4.0000	59249144	FITTING, GREASE	

+

F3=EXIT F7=PAGEBWD F8=PAGEFWD F10=PRINT
INVALID ITEM

BM003R1

S/L BILL-OF-MATERIAL INQUIRY

5/03/07

PART: 59193243

MAST/CARRIAGE ASSY

<u>BUB</u>	<u>QTY--PER</u>	<u>PART #</u>	<u>DESCRIPTION</u>	<u>DRAWING #</u>
054	4.0000	58922188	THRUST ROLL	
055	1.0000	58890492	SHIM (0.03 THICK)	
056	4.0000	58781287	ROLLER, LOAD	
9	1.0000	59193243/00	REF DWG: DRAWING	59193243

F3=EXIT F7=PAGEBWD F8=PAGEFWD F10=PRINT
INVALID ITEM